

Design of Fast Steering Mirror Systems for Precision Laser Beams Steering

Qingkun Zhou^{1,3}, Pinhas Ben-Tzvi², Dapeng Fan¹, Andrew A. Goldenberg³

¹ College of Mechatronics Engineering and Automation, National University of Defense Technology, Changsha Hunan 410073, P. R. China

² Department of Mechanical and Aerospace Engineering, School of Engineering and Applied Science, The George Washington University, 801 22nd St., NW, Washington, DC 20052

³ Department of Mechanical and Industrial Eng., University of Toronto, 5 King's College Rd., Toronto, ON, Canada M5S 3G8

Abstract – Precision laser beam steering is critical in numerous applications, such as military, biomedical and industrial. Precise pointing of laser beams is particularly essential in challenging environments. The optical signal may break and wander due to environmental influences. The core problem of steering performances is to deal with the jitter disturbance. Based on the analysis of principle of angle beam steering system, some important factors to design the structure of Fast Steering Mirror (FSM) and the layout of laser optics steering system are presented. In laser beam applications, FSM presents more challenges in terms of the need for extremely precise pointing between two sources involved in the link. Flexure hinges with compliant mechanisms, with several advantages over classical rotational joints, are used to build the FSM structure. In precise laser beam steering it is necessary to steer a laser beam to a target and maintain the alignment with extreme precision over long periods of time. To make the system effective, a 4-quadrant detector has been used as the sensor for the incoming light. A design of the developed control loop and concepts for the experimental setup are discussed. A laser beam jitter control test bed is also introduced to improve jitter control techniques.

Keywords – Precision laser beam steering, fast steering mirror, flexure hinges, optical focusing control, jitter compensation.

I. INTRODUCTION

Laser beam steering is an important technology that plays a central role in contemporary technological applications, such as high-energy laser systems (HEL), free-space optical communications, semiconductor manufacturing and inspection, laser welding and cutting of materials processing, optical data storages and information display, scanning optical lithography and various medical applications for biomedical systems [1],[2]. The precise optical communication is becoming a better alternative over radio communication. It provides ways to increase the data rate that is limited by the capabilities of traditional radio links. It also requires smaller divergence beams and thus smaller size of the communication terminals, and also requires less power than traditional radio wave transceivers. For instance, successful laser communication tests have been performed between two satellites in space and between a satellite and a ground based fixed partner [14]. The higher speed transmission optical communication is accomplished by laser point to point links. In order to initiate it, the two sources need to know each other's position and align their transceivers accordingly [3-5]. Precise pointing of laser

beams is often required in challenging environments where disturbances like base-motion vibrations, fast relative motion and disturbances within the medium of propagation (e.g., atmospheric turbulence) occur. Such environmental conditions may induce laser beam jitter that poses critical performance limitations, and even small disturbances often produce significant jitter due to amplification by optical path lengths [8–11]. The optical signal break-up and wander is caused by the environmental influences. The turbulent atmospheric effects cause the various parts of an image to arrive at different times, which results in wavefront errors [23]. Vibrations or thermally-induced motion can blur precise images, reduce critical intensities, and misalign interfaces between laser and target, leading to severely compromised system performance. In order to maintain the communication, the two optical communication terminals have to track and perform precise continuous pointing to each other so that no data is lost. These requirements increase the bandwidth rejection of disturbances produced by turbulence. The wavefront errors are compensated by a technique called adaptive optics. FSM is used to deal with the line-of-sight control problem in laser beam steering applications. This technique was originally developed for military and aerospace applications, such as the airborne laser (ABL) and advanced tactical laser (ATL) [6],[7],[20]. FSM presents more challenges in terms of the need for extremely precise pointing between the two sources involved in the link. They have recently been used as active mirror elements in high-performance beam-stabilization, laser beam steering and alignment modules. These modules provide a feasible approach to system performance improvement. The goal is to build a beam steering system using a FSM based on compliant mechanisms and electromagnetic actuators to maintain precise laser beams steering control.

II. FSM DESIGN AND CONSIDERATIONS

Study over of the possible technologies for precision laser beam steering leads to the following ones: FSM, acoustic-optic deflectors [15], spatial light modulators (SLM), and deformable mirrors (DM) [5],[23]. Angular beam steering (Fig. 1) can fulfill the important steering requirement such that the laser beam will follow the ideal position. Precise rotations along one or two axes are performed by using the devices at the optical path. There are two types of mirrors to

perform the steering: one dimensional mirror (to perform rotation about one axis only - 1D) and two dimensional mirrors (to perform rotation about two axes - 2D).

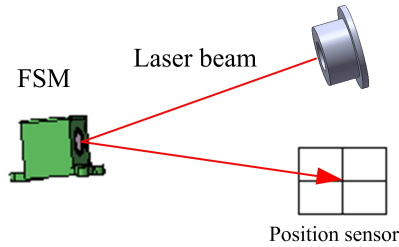


Fig. 1 angular beam steering

The FSM is represented as a mirror that is mounted over the actuators (Fig. 1). The actuators are capable of producing fast and precise movements. For the purpose of performing tilting around the axis, the mirrors are linearly arranged in twos per axis. The origin of the coordinate system is located in the center of the mirror. The linear actuators produce an angular torque that creates a small rotation about the X axis (Fig. 2). The rotation positions the mirror at different angle α to reflect the input laser beam [12],[13]. The change of the optical angle of the output beam (Fig. 3) is twice the change in the mechanical angle around one axis of the XY plane.

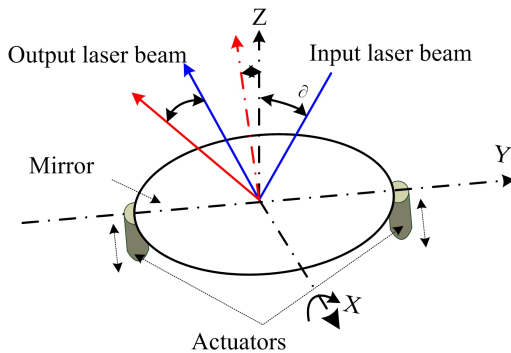


Fig. 2 Fast steering mirror principle

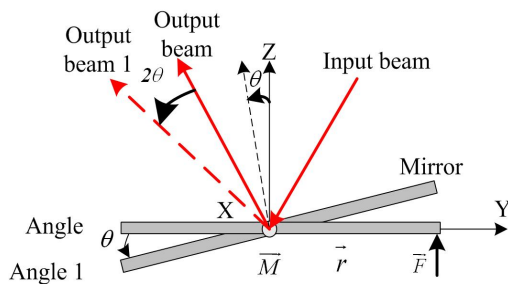


Fig. 3 Range relationship of steering angle

Compliant mechanisms (CMs) are mechanical devices that provide smooth and controlled motion guidance due to the deformation of some or all of the mechanism's components. CMs do not require sliding, rolling or other types of contact bearings often found in rigid mechanisms. These

characteristics enable CMs to achieve reliable, high-performance motion control at low cost. Flexure hinges (Fig. 4) are the main constituents of compliant mechanisms. The flexure hinges, alternatively called flexural pivot, consist of a flexible, slender region between two rigid parts that must undergo limited relative rotation in a mechanism (which will be called compliant) due to the presence of at least one flexure hinge. Under the combined action of external loading and actuation, the flexure hinge bends and thus produces the relative rotation between the adjacent members. Being monolithic with the rest of the mechanism for the vast majority applications, flexure hinges hold several advantages over classical rotational joints [16],[17]. These include: no friction losses, no need for lubrication, no hysteresis, compactness, capacity to be utilized in small-scale applications, ease of fabrication, virtually no assembly, and no maintenance requirement.

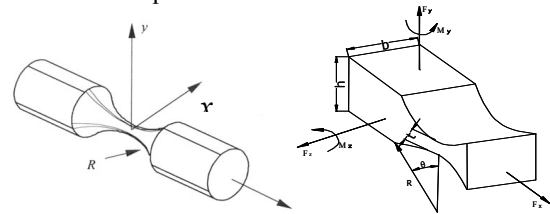


Fig. 4 Flexure hinge

The compliant structure of the FSM with flexure hinges is shown in Fig. 5. Several technologies are used to actuate the mirror tilting: motorized actuators, galvo motors, piezo actuators, and voice coil actuators.

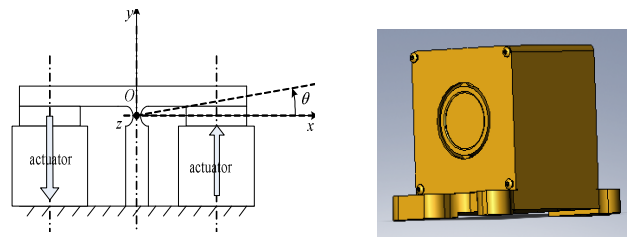


Fig. 5 Compliant structure of FSM with flexure hinges

With the condition that the internal assembly of the designed FSM is not coupled, the FSM can be modeled as a 2nd order linear differential equations that describes the movement of the mirror around the flexure hinge axis. The mirror assembly basic elements include the mirror itself and a flexure mount to which the mirror is attached. The FSM is actuated by 2 voice coil actuators, which are linear and work in pairs to produce rotation around the flexure hinge axis. According to these conditions, a simpler representation of the systems that involves a spring and a damper can be used. A sketch of such a spring-mass-dashpot system is shown in Fig. 6. The spring in the real device accounts for the oscillations and is related to the flexure (hence accounts for the elasticity of the flexure). The damper accounts for the smooth movement and is related to the air viscosity [22].

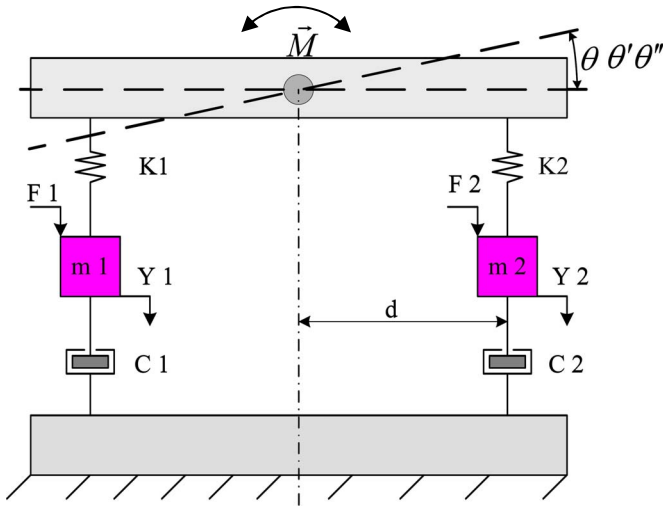


Fig. 6 A sketch of the representative spring-mass-dashpot system

The differential equation describing the system is given by:

$$M = [J + (m_1 + m_2)d^2]\theta'' + (C_1 + C_2)d^2\theta' + (K_1 + K_2)d^2\theta \quad (1)$$

where m is the mass of the mirror itself and a flexure mount; k is the spring constant; and c is the viscous coefficient. In order to express the behavior of the system, the transfer function $G(s)$ is derived to relate the output to the input.

$$G(s) = \frac{\theta(s)}{M(s)} = \frac{1}{s^2 + \frac{(C_1 + C_2)d^2}{J + (m_1 + m_2)d^2}s + \frac{(K_1 + K_2)d^2}{J + (m_1 + m_2)d^2}} \quad (2)$$

The force F may be modeled as the response of the actuator driver. It receives voltage commands and converts them to four current commands (which in their turn are relative to the force F) in order to drive the voice coils. A beam steering system is made of the following components [21]: (i) Fast steering mirror - in our case a flexure suspended single or two axis voice coil mirror; (ii) Optical Beam-splitter - a half silvered flat mirror that reflects some percentage of a laser beam while also transmitting another portion of it; (iii) Position Sensing Detector (PSD) - either a lateral effect cell that outputs a voltage proportional to beam placement, or a quad cell that splits up the detector into 4 quadrants; and (iv) Imaging or focusing lenses - used either to transform angular error into displacement or to re-image an angular source.

An efficient system should comprise of a sensor for the incoming light, a controller and an actuator that can change the light direction. The actuator in this case is the FSM mirror, while for the sensor there are several types that might be appropriate: CCD camera, PSD, photodiodes, etc. Here a 4-quadrant detector (4QD) (Fig. 7) has been used since it is convenient for centering applications [25]. It consists of 4 photodiodes forming a circle. Their output is used to evaluate the position of the spot on the detector.

The four sectors of the 4QD are represented by letters A, B, C, and D as shown in Fig. 7. Equation (3) is used to describe the x and y displacements of the beam, where A, B, C, and D are the currents generated by each of the four sectors. There are two significant restrictions on the beam motion used with quadrant detectors. First, to provide x - y data, the beam must always overlap a portion of all four sectors. Second, there is meaningful absolute position information only for small displacements of the beam.

$$x = \frac{(B+C)-(A+D)}{A+B+C+D} \quad y = \frac{(A+B)-(C+D)}{A+B+C+D} \quad (3)$$

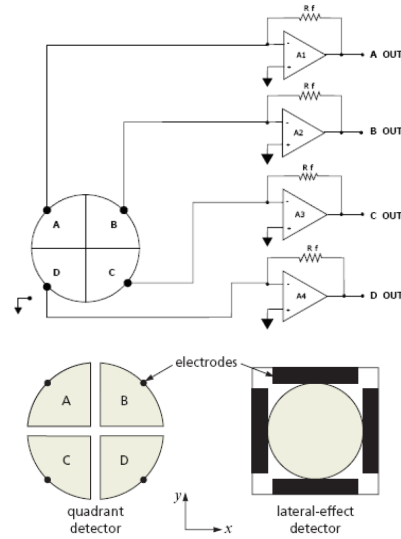


Fig. 7 Principle of Quad cell

III. SYSTEM MODELING AND SIMULATION

In the precise laser beam steering system it is necessary to align a laser beam to a target and maintain the alignment with extreme precision over long periods of time. In order to accomplish this requirement, the control loop shown in Fig. 8 is proposed. An active feedback loop maintains alignment by nulling the beam to the center of the target. Because the center of a quadrant detector does not change with time or temperature, the quadrant detector senses even small drifts of the beam away from the center. With the high resolution and accuracy of the 4QD, nulling is controlled by a computer that processes the signals from the detector and adjusts a pointing mirror to re-center the beam.

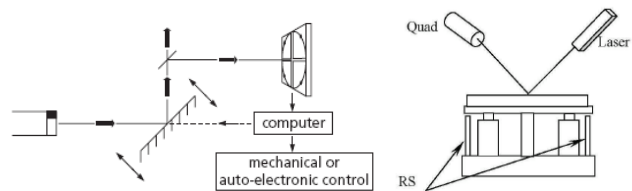


Fig. 8 Diagram optical beam alignment

The simplest implementation of a beam stabilizer consists of a FSM, a beam-splitter, and a position sensing detector. The laser is reflected off the FSM and then passed through a beam-splitter. The majority of the energy is reflected and a small percentage of it is passed through the beam-splitter. The energy that passes through the beam-splitter is directed onto a quad cell.

As the laser beam drifts, the spot on the quad cell moves off center. Feedback from the quad cell causes the FSM to correct this motion and move the beam back to the center of the quad cell. The result of this correction is that the beam is held fixed at a point in space (the center of the quad cell). This may be an acceptable condition, but the beam angle is not controlled. In fact, depending on the distance from the FSM of the angular error source compared to the distance from the quad to the FSM, the angular error may even be magnified. To eliminate this angular error, a focusing lens can be added in front of the quad cell (Fig. 9). This lens is located one focal length away from the quad cell. This lens has the effect of eliminating beam translation errors from the quad cell output [24]. Only beam angle change causes the spot to move on the quad cell. The angular range and resolution is set by the choice of the quad cell and the focusing lens.

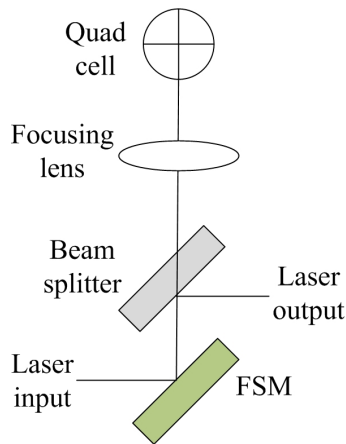


Fig. 9 Single FSM steering with Focus Lens

The two FSM axes are controlled independently. Since the control loop of each of the FSM axes looks alike, only one axis loop is shown in Fig. 10. The system input is the incoming collimated beam, while the output is the light focused on a photodiode. The collimation of the beam is generally done before it enters the pointing system. The beam is reflected by the actuator and subsequently split by the beam splitter in two directions: one beam is focused on a photodiode and the other is focused on the 4QD. The output of the 4QD is the feedback signal for the control loop [19]. When testing the control part only, the beam splitter and the fiber coupler are excluded from the system for the sake of simplicity since they do not influence the performance of the pointing. The control loop relies on the information coming

from the quadrant detector. Each photodiode converts the incoming light into current, which is then converted into voltage. The 4 outputs are then used to calculate the central point of the beam onto the detector, which is in its turn fed into the controller. According to the position of the centre, the controller generates operating signals for the fast steering mirror in order to rotate it in the required orientation.

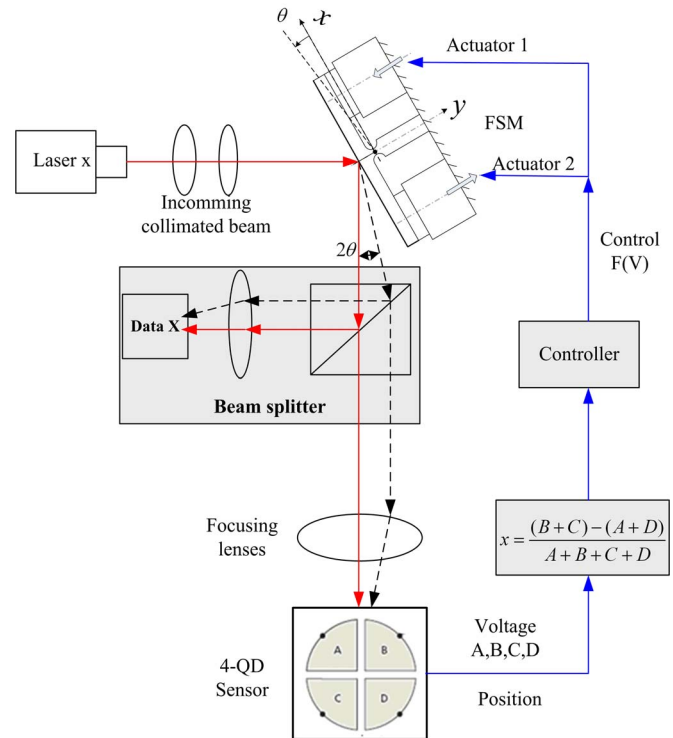


Fig. 10 Single Control loop block diagram for 1-axis control

In order to correct both angle and displacement errors, two FSMs are needed (Fig. 11(a)). FSM1 corrects the beam displacement errors from the reference line, and FSM2 corrects the beam angle errors from the reference line. The core of the system is composed of the two FSMs and two position detectors, which give feedback to the FSM's controller to keep the beam locked at the center. FSM1 corrects for angle due to the feedback it receives from Quad Cell1 and FSM2 corrects for position due to the feedback it receives for Quad Cell 2.

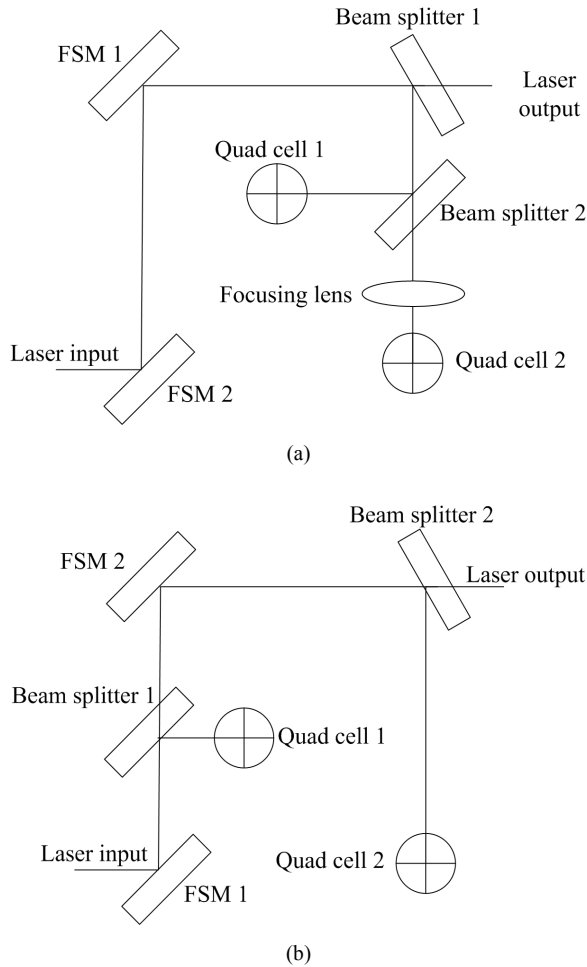


Fig. 11 Two FSMs laser beam steering

An additional construction (Fig. 11(b)) uses two FSM steering systems, two beam-splitters, and two quad cells. The distance from FSM 1 to FSM 2 is equal to the distance from FSM 1 to Quad Cell 1. This ensures that the beam is stationary on the surface of FSM 2. An additional beam-splitter samples the beam and sends it to Quad Cell 2. FSM 2 removes the angular beam error.

In order to address the jitter problems as mentioned in the introduction part, two FSMs can be used for the system setup as shown in Fig. 12. The main optical components in the experiment are the laser source, two fast steering mirrors, controller and position sensing device [18]. The laser beam leaves the fixed source and reflects first off the mirror FSM 1, which adds disturbance to the beam direction, the beam then reflects off the mirror FSM 2, which serves as the control actuator, and finally goes to the sensor. A lens between FSM 1 and FSM 2 and another lens between FSM 2 and the sensor focus the beam to maintain small spots on FSM 2 and the sensor. There are two sources of jitter in the experiment: the shaker on which the control actuator is mounted and the

disturbance actuator FSM 1. The motion of the shaker is vertical, and FSM 1 adds jitter on both mirror axes.

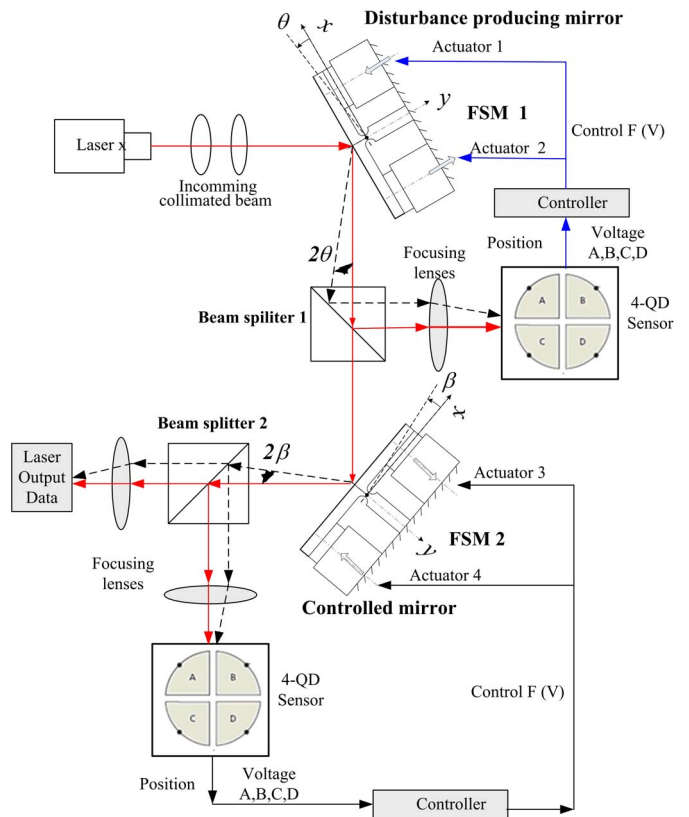


Fig. 12 Two FSMs Laser Beam Steering (FSM1 for distortion and FSM2 for active control)

The iterative algorithm shown in Fig. 13 is proposed for eliminating the high frequency noise by using a low-pass filter placed before the analogue to digital converter. Two signal paths can be identified – optical signal path and electronic signal path with the two paths meeting at each end of the control loop – at the sensor and at the actuator.

A laser source is used as a replacement of a laser communication transmitter. The mirror used to produce distortions on the beam direction was aligned at 45° angle of incidence to the incoming beam (Fig. 12). The deflected light then reaches the controlled mirror, which is also at 45° and directs the beam through the focusing system into the four quadrant detector active area. The photodiodes convert the incoming light into currents which after the amplifier board are sent as voltage signals to the filter board. Then the four information signals are digitized and used in the controller calculations to produce control signals for the actuator. They are converted to analogue signals and sent to the mirror driver, which in its term controls the rotation of the mirror.

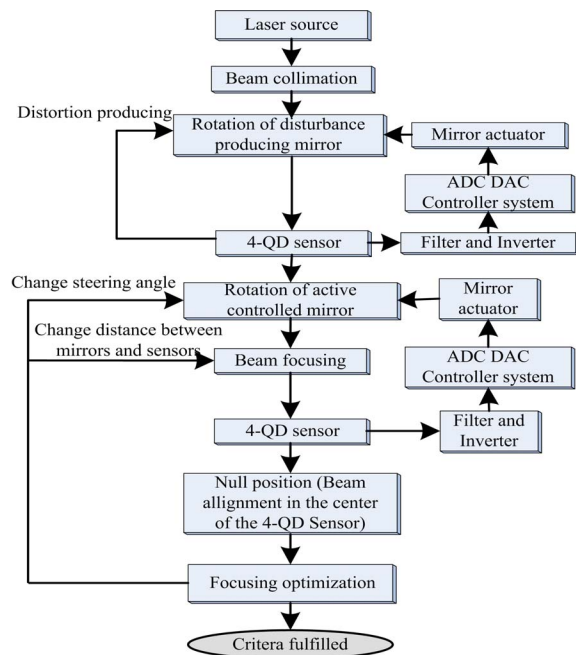


Fig. 13 Optical setup block diagram

IV. CONCLUSIONS

Precision laser beam steering is critical in numerous military and industrial applications. The jitter disturbance problem is the core problem of steering performances. This paper presented the possible precision laser beam steering technologies for optical steering. The research outlined the advantages of introducing compliant mechanism structures in the FSM and the design of a full steering system. The next steps will involve testing of the full setup and design controllers to compensate the pointing error. For the purpose of researching large-travel dimensional compliant mechanisms for precision positioning and key technologies, the performance of the FSM will be extensively tested in the laboratory in order to fully characterize the final tip-tilt loop. It is necessary to describe the functions and capabilities of the test facility that is used to test, model, and evaluate electro-optical components for applications ranging from laser communications to precision pointing and control systems.

The comparison between the measured gain response and the simulation model of the FSM should reveal similarity between the theoretical simulation model and the real system and offer a way to improve the model as to better resemble the real system. Additional tests will be performed with the platform using MEMS mirrors as adaptive optics to research the wavefront problem integrated with the steering problem.

ACKNOWLEDGEMENTS

This work was carried out with the help of many colleagues in the Department of Mechatronic Engineering, National University of Defense Technology in China; the Mechatronics Laboratory, Department of Mechanical and

Industrial Engineering, University of Toronto; and the Department of Mechanical and Aerospace Engineering, The George Washington University. The authors would also like to thank the China Scholarship Council.

REFERENCES

- [1] R.W. Cochran, R.H. Vassar, "Fast Steering Mirrors in Optical Control Systems," SPIE proceedings vol. 1303 Advances in Optical Structure Systems, 1990.
- [2] L.R. Hedding, R.A. Lewis, "Fast steering mirror design and performance for stabilization and single axis scanning," Proceedings of SPIE. Vol. 1304, 14-24, 2005.
- [3] K.J. Held, J.D. Barry, "Precision optical pointing and tracking from spacecraft with vibrational noise," SPIE vol.6 16, 160-173, 1986.
- [4] Q. Wang, K. Chen, C.Y. Fu, "Method for controlling fast-steering mirror driven by voice coil motor based on the closed-loop performance," Opto-Electronic Engineering, 32(2), 9-11, 2005.
- [5] R. Tyson, "Introduction to adaptive optics," SPIE Press, USA, 2000.
- [6] V.A. Skormin, M.A. Tascillo, T.E. Busch, "Adaptive Jitter Rejection Technique Applicable to Airborne Laser Communication Systems," Optical Engineering, Vol. 34, p. 1267, May 1995.
- [7] B.L. Wilkerson, "Concepts for Fast Acquisition in Optical communication Systems," SPIE Vol. 6304, 2006
- [8] V.A. Skormin, T.E. Busch, M.A. Givens, "Model Reference Control of a Fast Steering Mirror of a Pointing, Acquisition and Tracking System for Laser Comm.," Proc. of the IEEE NAECON, Vol.2, pp. 907-913, 1995
- [9] E.A. Watson, D. Miller, P.F. McManamon, "Applications and requirements for nonmechanical beam steering in active electro-optic sensors," Proc. SPIE 3633, pp. 216-225, 1999.
- [10] A. Skormin, Mak A. Tascillo, T.E. Busch, "Adaptive jitter rejection technique applicable to airborne laser communication systems," Opt .Eng.34(5), 1263-1268, 1995.
- [11] T. Jono, M. Toyoda, K. NaKagawa, A. Yamamoto, "Acquisition, tracking, and pointing systems of OJCETS for free-space laser communications," SPIE vol.3692, 4 1-50, 1999.
- [12] L.M. Germann, A. Gupta, "Inertial Line-of-Sight Stabilization Using Fine Steering Mirrors, Star Trackers and Accelerometers," American Astronautical Society Guidance and Control Conference Vol. 66, 1988.
- [13] L.M. Germann, "Advanced Two-Axis Beam steering Element," American Astronautical Society Guidance and Control Conf. Vol. 63, 1985.
- [14] A.A. Portillo, G.G. Ortiz, C. Racho, "Fine Pointing Control for Optical Communications," Aerospace Conference, 2001, IEEE Proceedings, Vol. 3, pp. 3/1541 -3/1550, 2001.
- [15] AA Opto-Electronic Inc., Application Notes. Available: http://www.quantatech.com/Documentation/AO_Doc.pdf
- [16] N. Lobontiu, "Compliant mechanisms: design of flexure hinges," CRC Press, 2003.
- [17] L.L. Howell, "Compliant mechanisms," Wiley, 2001.
- [18] P.V. Mitchell, P.B. Griffith, D.K. Henderson, "Fast-steering mirrors improve active beam stabilization", www.newsport.com/fsm
- [19] M.J. Xie, J.G. Ma, C.Y. Fu, "Design and experiment of a LQ controller used in high-bandwidth fast-steering mirror system," Proc. SPIE, Vol. 4025, pp. 250, 2000.
- [20] R.J. Watkins, B.N. Agrawal, S. Shin.Young and H.J. Chen, "Jitter control of space and airborne laser beams," in International Communications Satellite Systems Conf., Monterey, CA: AIAA, 2004.
- [21] CVI Melles Griot Inc., "Fundamentals of Beam Positioning," Available: http://www.mellesgriot.com/pdf/X_43_12-14.pdf
- [22] NASA Glenn Research Center, "Air Properties Definitions," Available: <http://www.lerc.nasa.gov/WWW/K-12/airplane/airprop.html>.
- [23] OKO Technologies, "Adaptive Optics Product Guide," Available : <http://www.okotech.com/content/oko/pics/gallery/catWWW2.pdf>
- [24] Optics In Motion LLC, <http://www.opticsinmotion.net/index.html>
- [25] Electro-Optical Systems Inc., "Quadrant receiver module," Available: <http://www.eosystems.com/pdf/IGA-010-QUAD-E4.pdf>